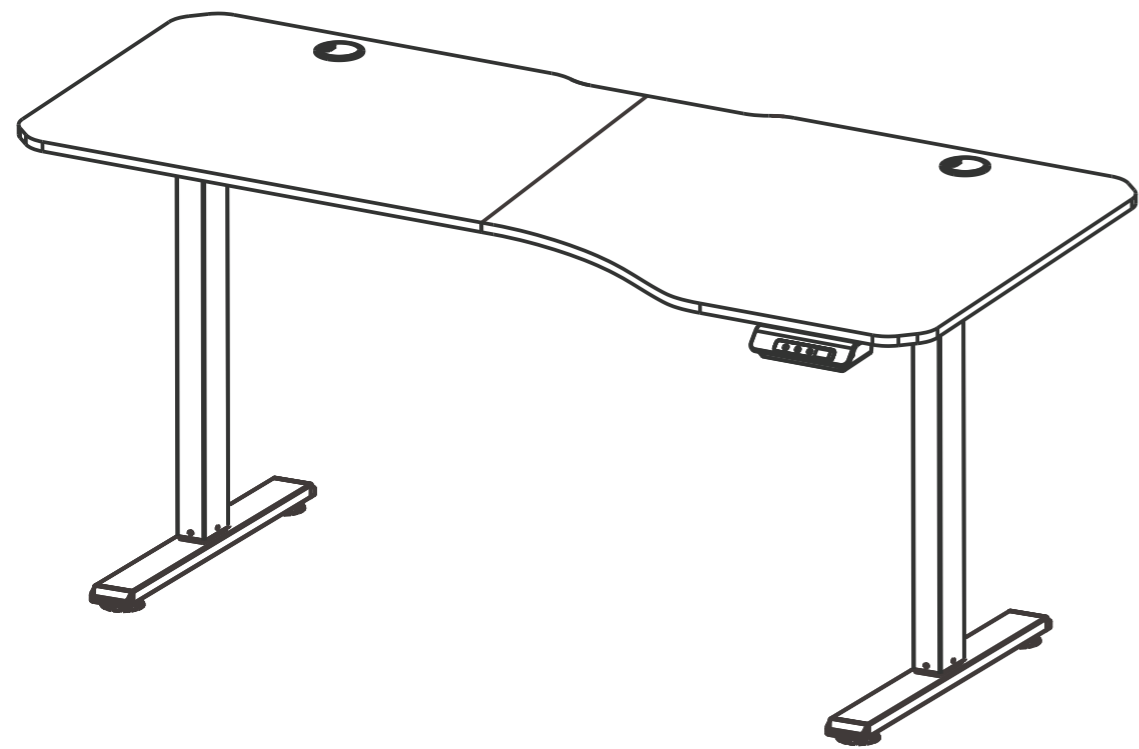




Jan Nowak®

Electric Hight Adjustable Desk



Ella 1600

SCREW ACCESORIES



S1 x1



6mm

S2 x1



3mm

S3 x14



M8*16

S4 x2



M5*16

S5 x2



M4*12

S6 x9



M8*25

S7 x3



S8 x2



S10 x4



S11 x38



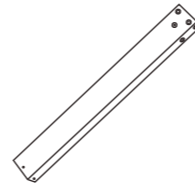
M4*14

S12 x2



PARTS ACCESORIES

A x2



B x1



C x1



D x1



F x1



G x1



H x1



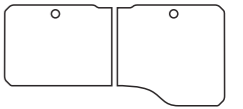
I x2



J x2



K x1



M x1



N x1



O x1



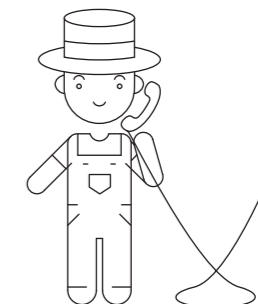
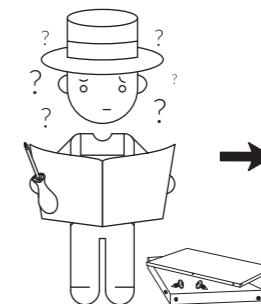
P x1



Q x1

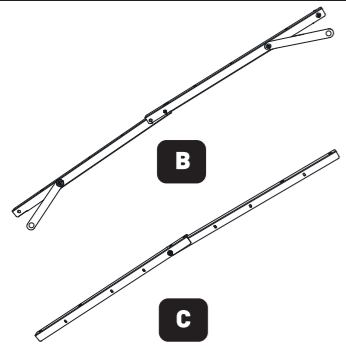


CONTACT

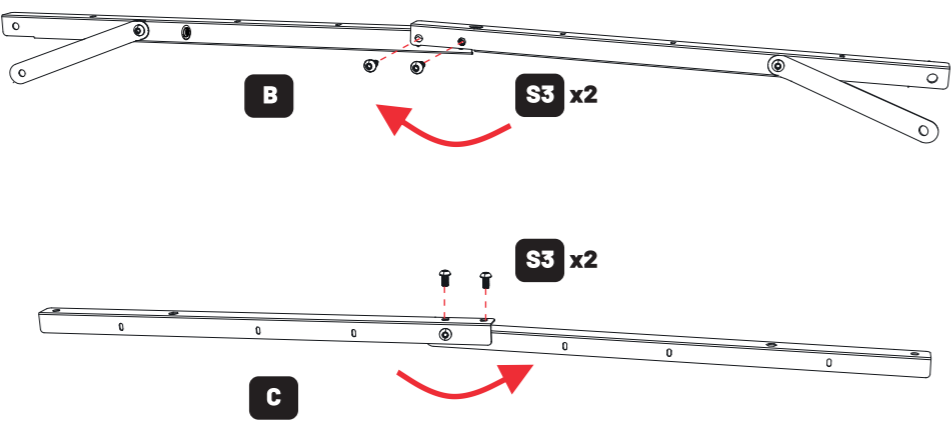


PL +48 68 422 84 24

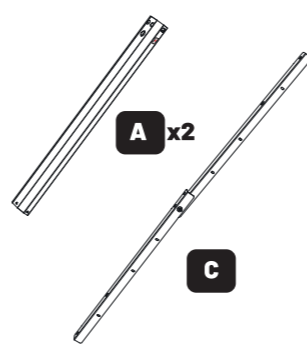
STEP 1



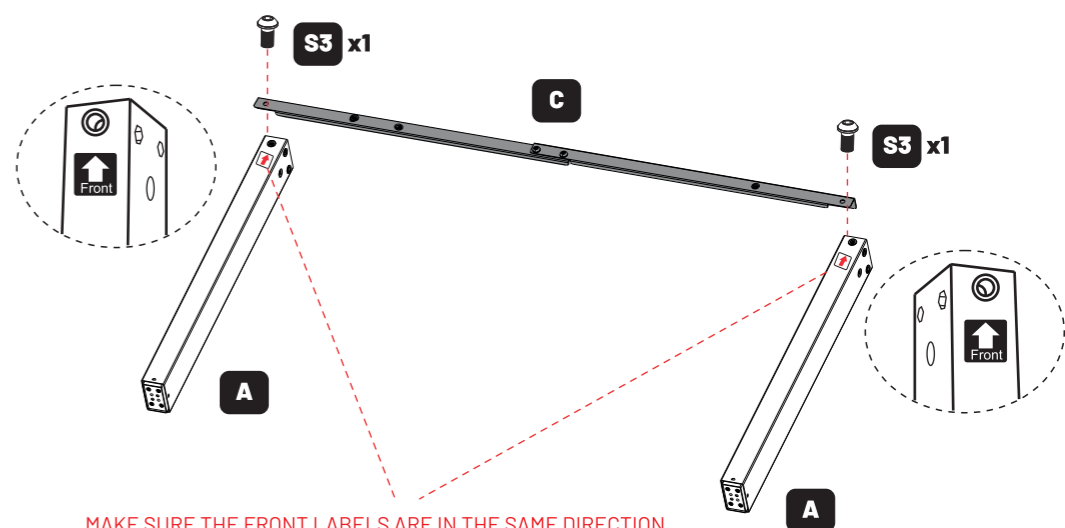
- S1 x1
- S3 x4
- 6mm
- M8*16



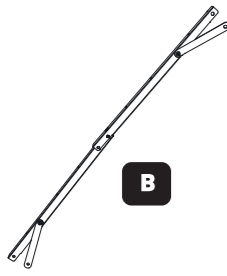
STEP 2



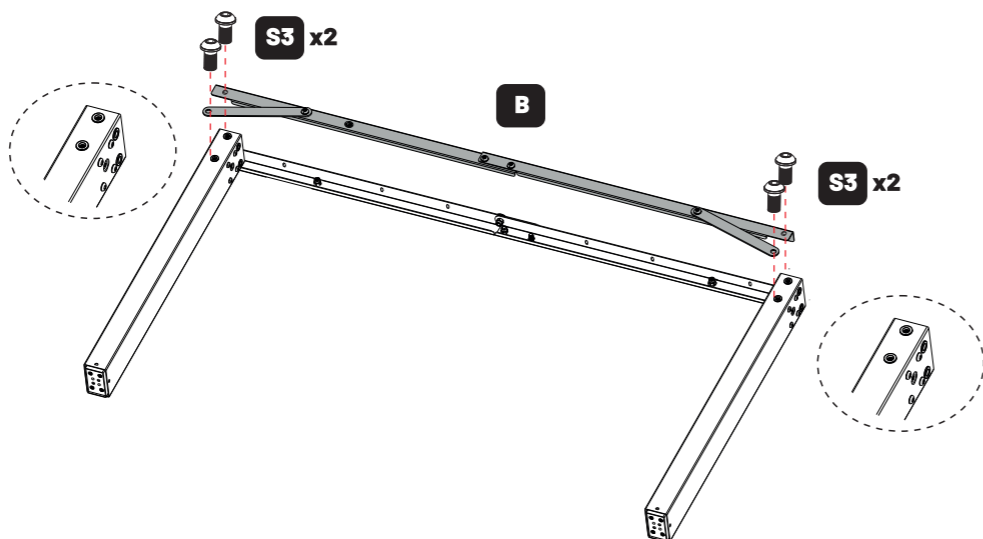
- S1 x1
- S3 x2
- 6mm
- M8*16



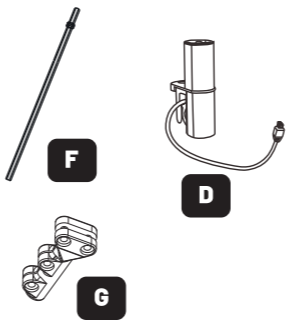
STEP 3



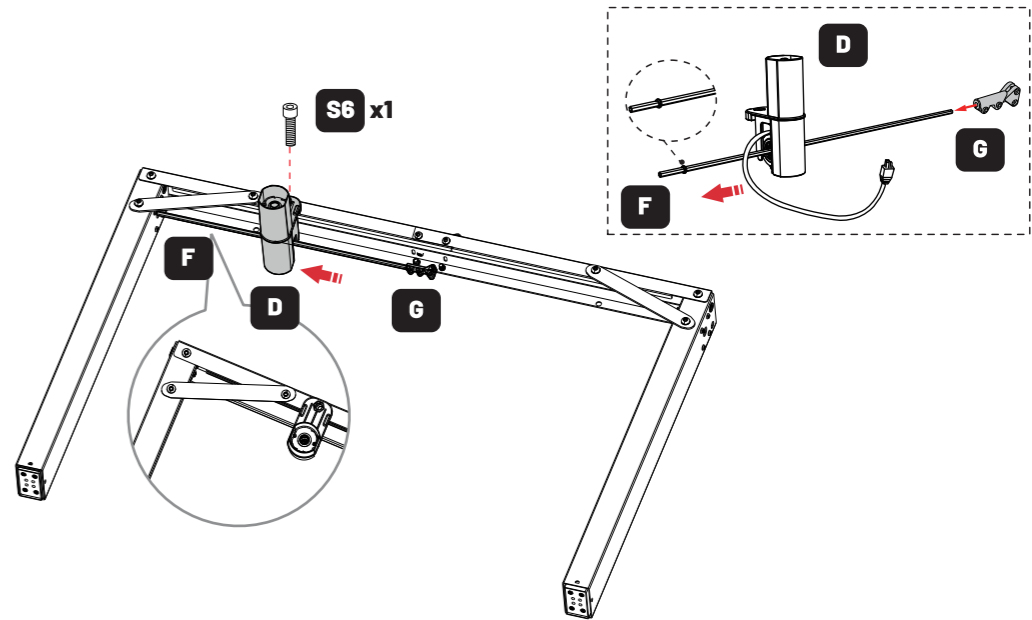
- S1 x1
- S3 x4
- 6mm
- M8*16



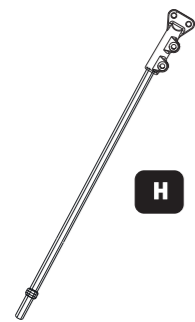
STEP 4



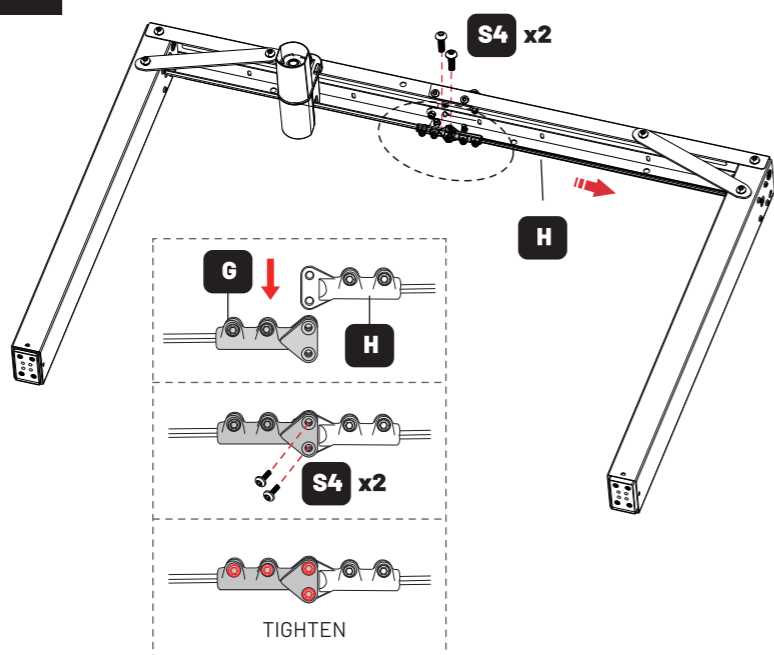
- S1 x1
- S6 x1
- 6mm
- M8*25



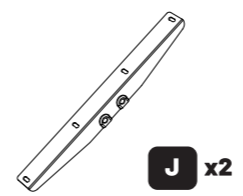
STEP 5



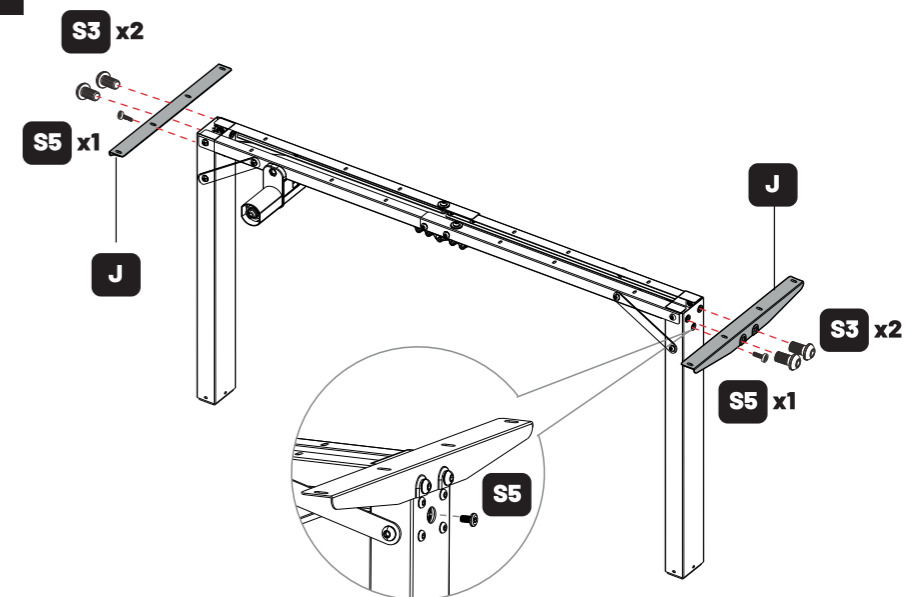
- S2 x1
- S4 x2
- 3mm
- M5*16



STEP 6



- S1 x1
- S2 x1
- S3 x4
- S5 x2
- 6mm
- 3mm
- M8*16
- M4*12



STEP 7

I x2

S6 x4 **S10** x2

S1 x1 **S6** x8 **S10** x4

6mm M8*25

! PLEASE MAKE SURE THE TABLE LEGS ARE VERTICAL TO THE CONNECTING ROD. AND THEN TIGHTEN ALL SCREWS.

STEP 8

K

O

S1 x1 **S11** x8 **S12** x2

6mm M4*14

! 1.PLEASE MAKE SURE THE TWO BOARDS ARE ALIGNED AND SEAMLESS
2.AND THEN TIGHTEN THE SCREWS

STEP 9

M **N**

P **O**

S1 x1 **S11** x30 **S7** x3

6mm M4*14

P Power Clip
M Motor

STEP 10

S8 x1

S8 x1

RST

! AFTER THE TABLE IS INSTALLED, PLEASE PRESS THE RST KEY TO START