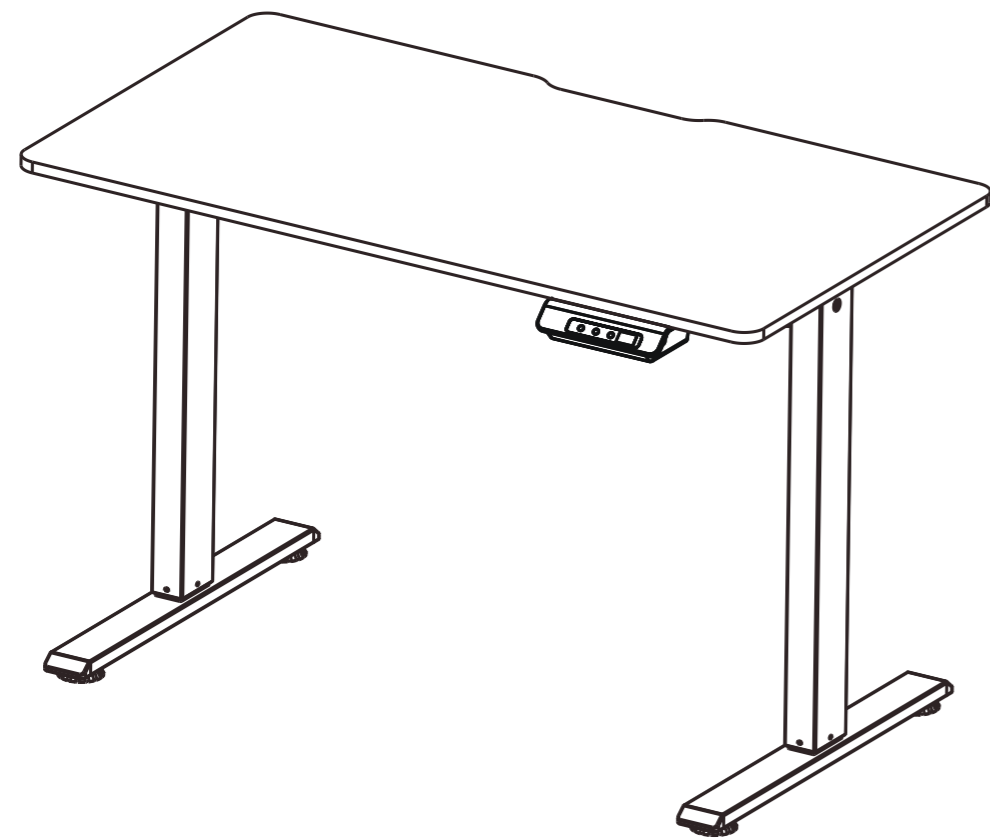




**Jan Nowak®**  
Standing Desk



# Egon 1100

## SCREW ACCESORIES



**S1** x1



6mm

**S2** x1



3mm

**S3** x12



M8\*16

**S4** x2



M5\*16

**S5** x2



M4\*12

**S6** x9



M8\*25

**S7** x3



**S10** x4



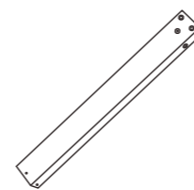
**S11** x30



M4\*14

## PARTS ACCESORIES

**A** x2



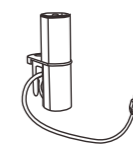
**B** x2



**C** x2



**D** x1



**F** x1



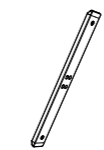
**G** x1



**H** x1



**I** x2



**J** x2



**K** x1



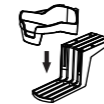
**M** x1



**N** x1



**O** x1



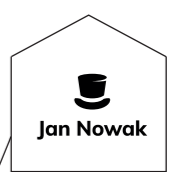
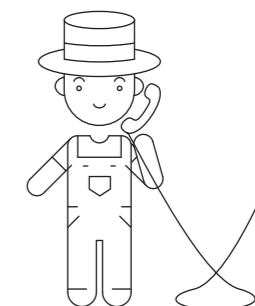
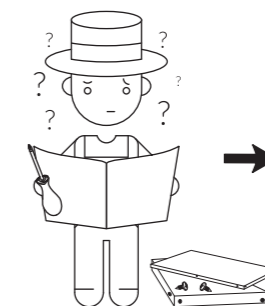
**P** x1



**Q** x1

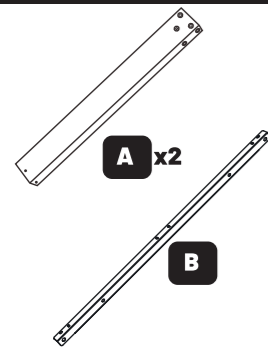


## CONTACT

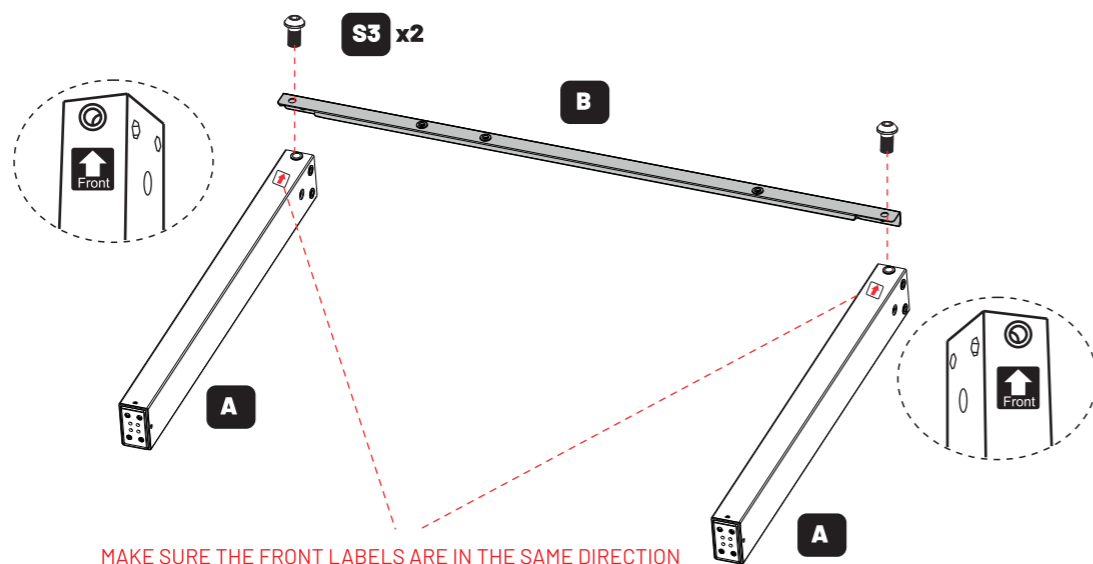


PL +48 68 422 84 24

### STEP 1

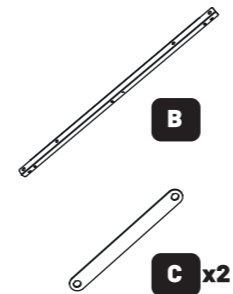


S1 x1 S3 x2

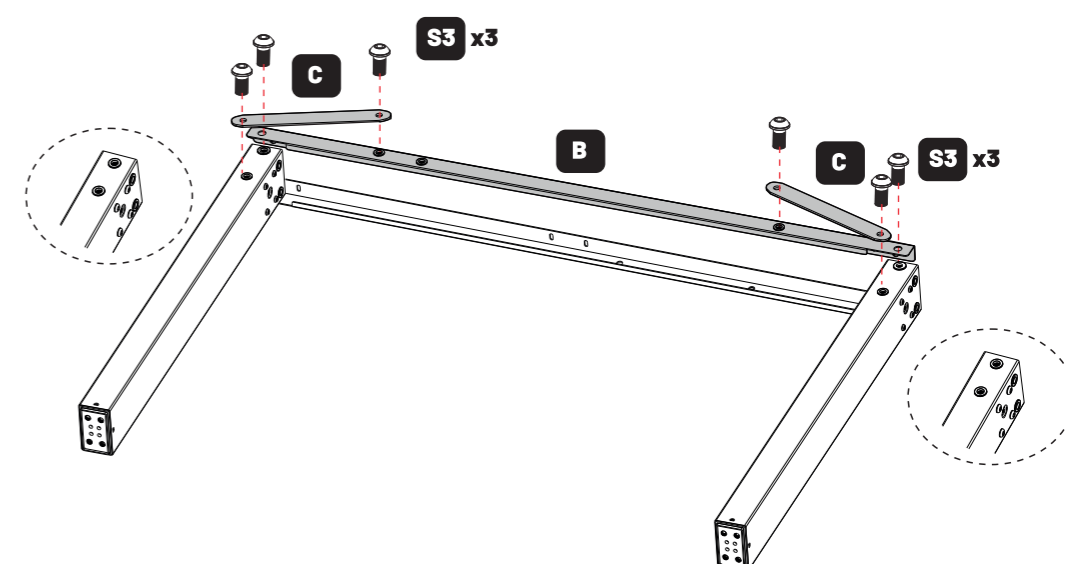


MAKE SURE THE FRONT LABELS ARE IN THE SAME DIRECTION

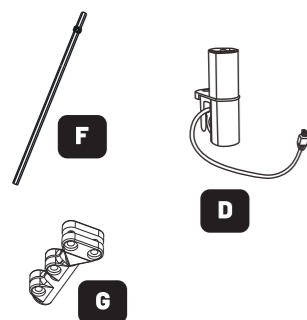
### STEP 2



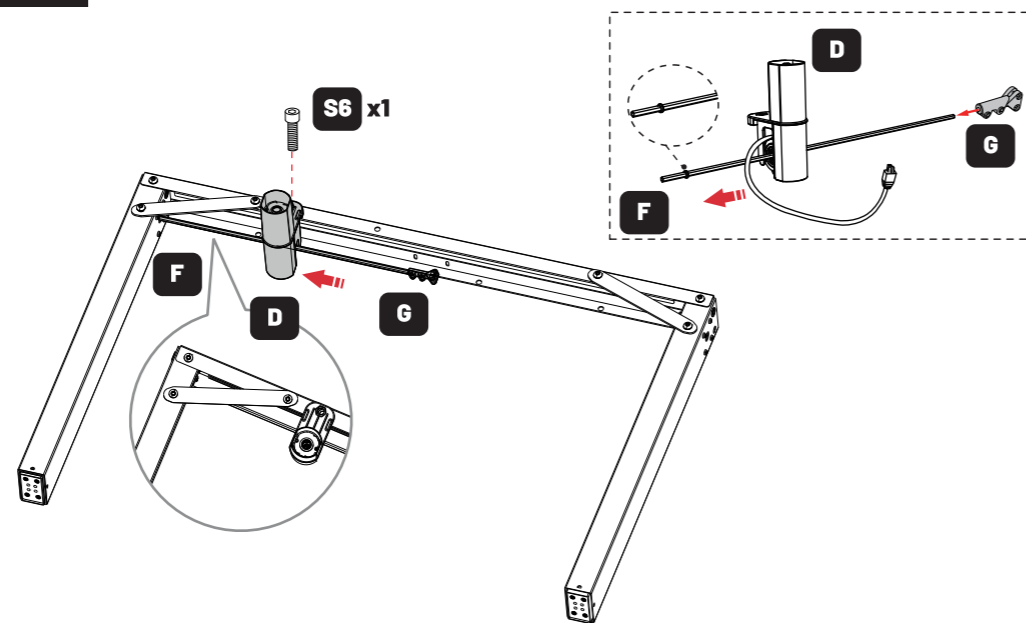
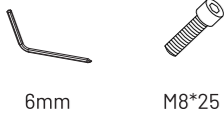
S1 x1 S3 x6



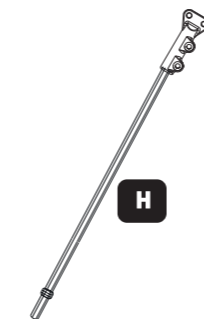
### STEP 3



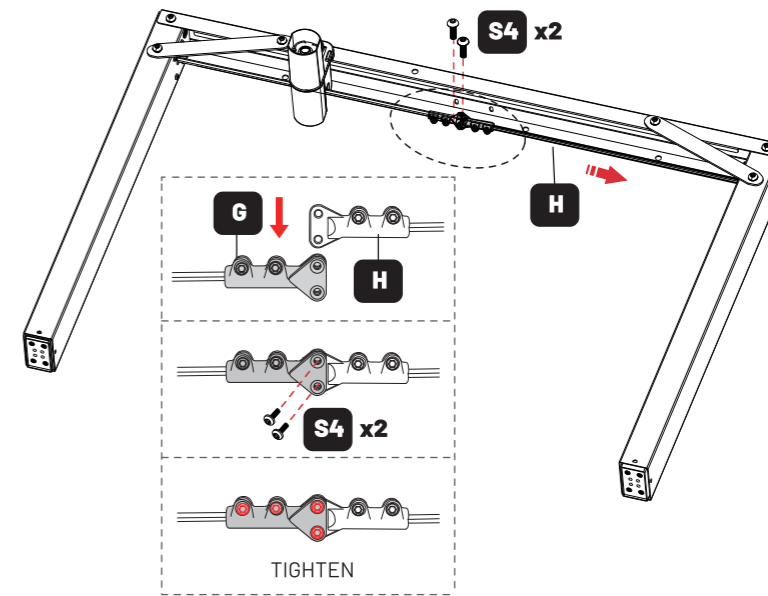
S1 x1 S6 x1



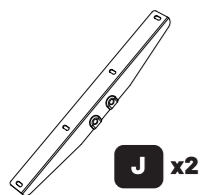
### STEP 4



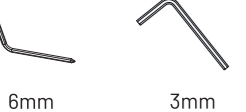
S2 x1 S4 x2



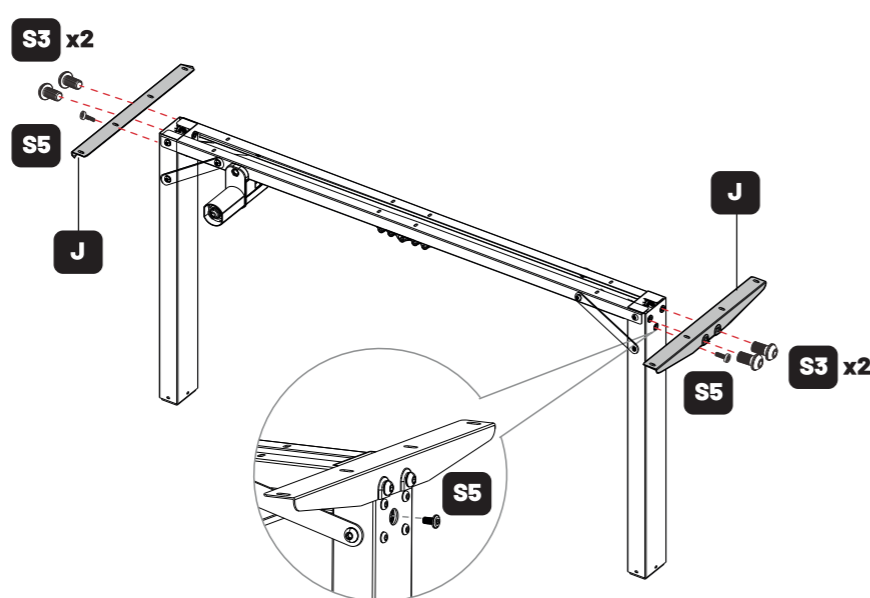
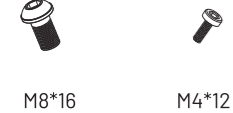
### STEP 5



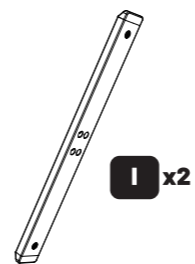
S1 x1 S2 x1



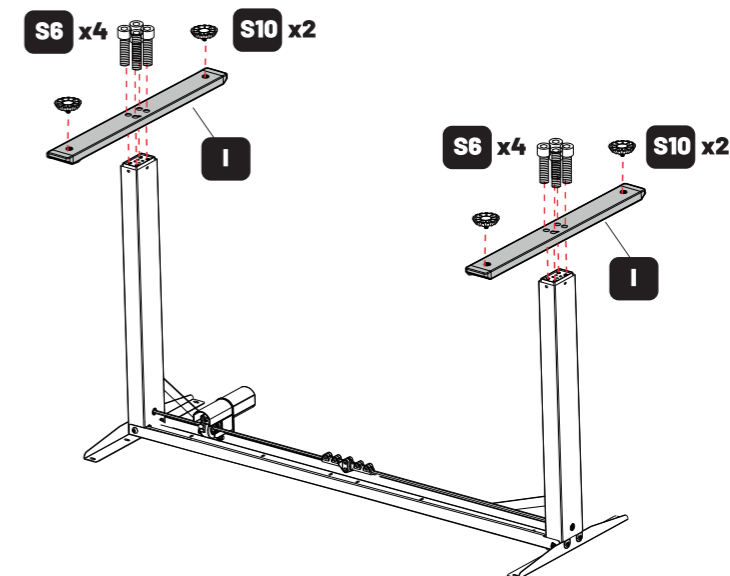
S3 x4 S5 x2



### STEP 6



S1 x1 S6 x8 S10 x4



PLEASE MAKE SURE THE TABLE LEGS ARE VERTICAL TO THE CONNECTING ROD. AND THEN TIGHTEN ALL SCREWS.

**STEP 7**



**K**



**O**

**S1** x1

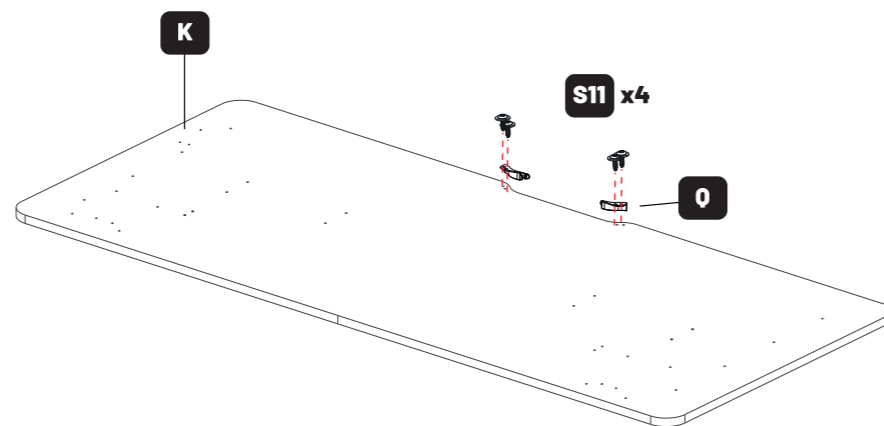
**S11** x4



6mm

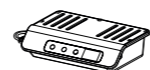


M4\*14



**1. PLEASE MAKE SURE THE TWO BOARDS ARE ALIGNED AND SEAMLESS  
2. AND THEN TIGHTEN THE SCREWS**

**STEP 8**



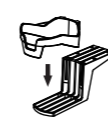
**M**



**N**



**P**



**O**

**S1** x1

**S11** x26

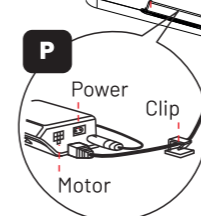
**S7** x3



6mm



M4\*14



**P**

Power  
Clip  
Motor

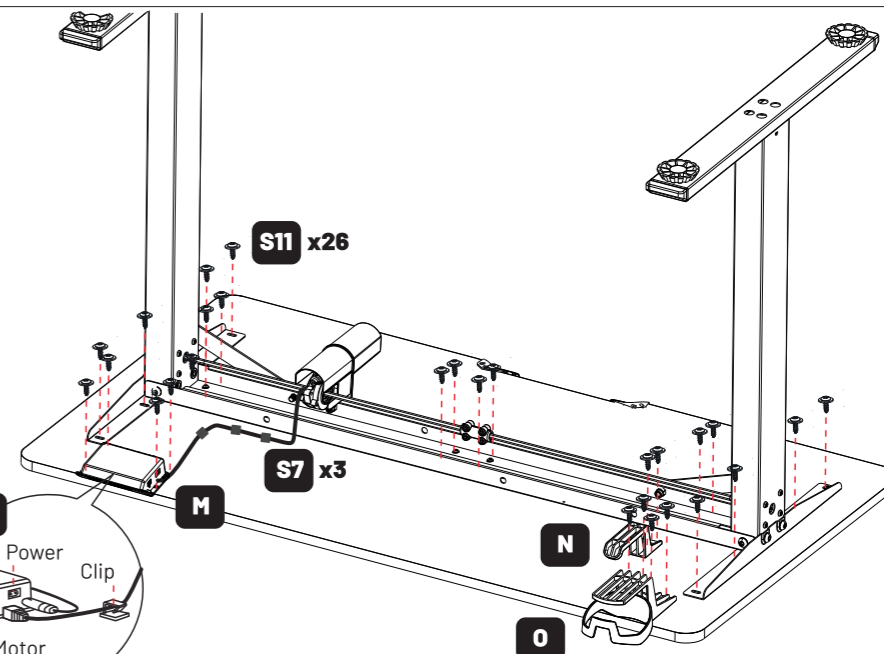
**M**

**S11** x26

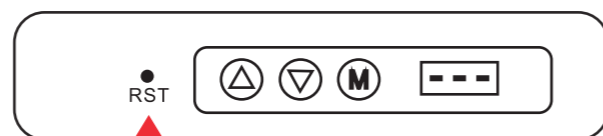
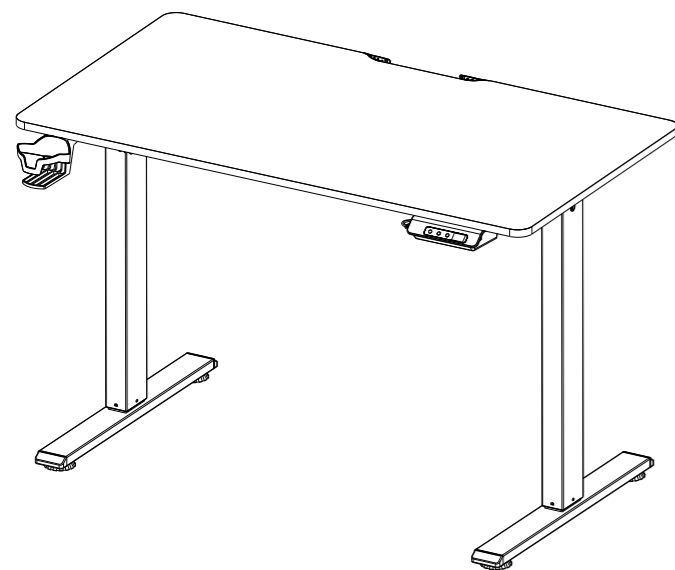
**S7** x3

**N**

**O**



**STEP 9**



RST



**AFTER THE TABLE IS INSTALLED,  
PLEASE PRESS THE RST KEY TO START**



FR

Pensez à donner ou recycler.



Association

ou



Magasin

ou



Déchèterie